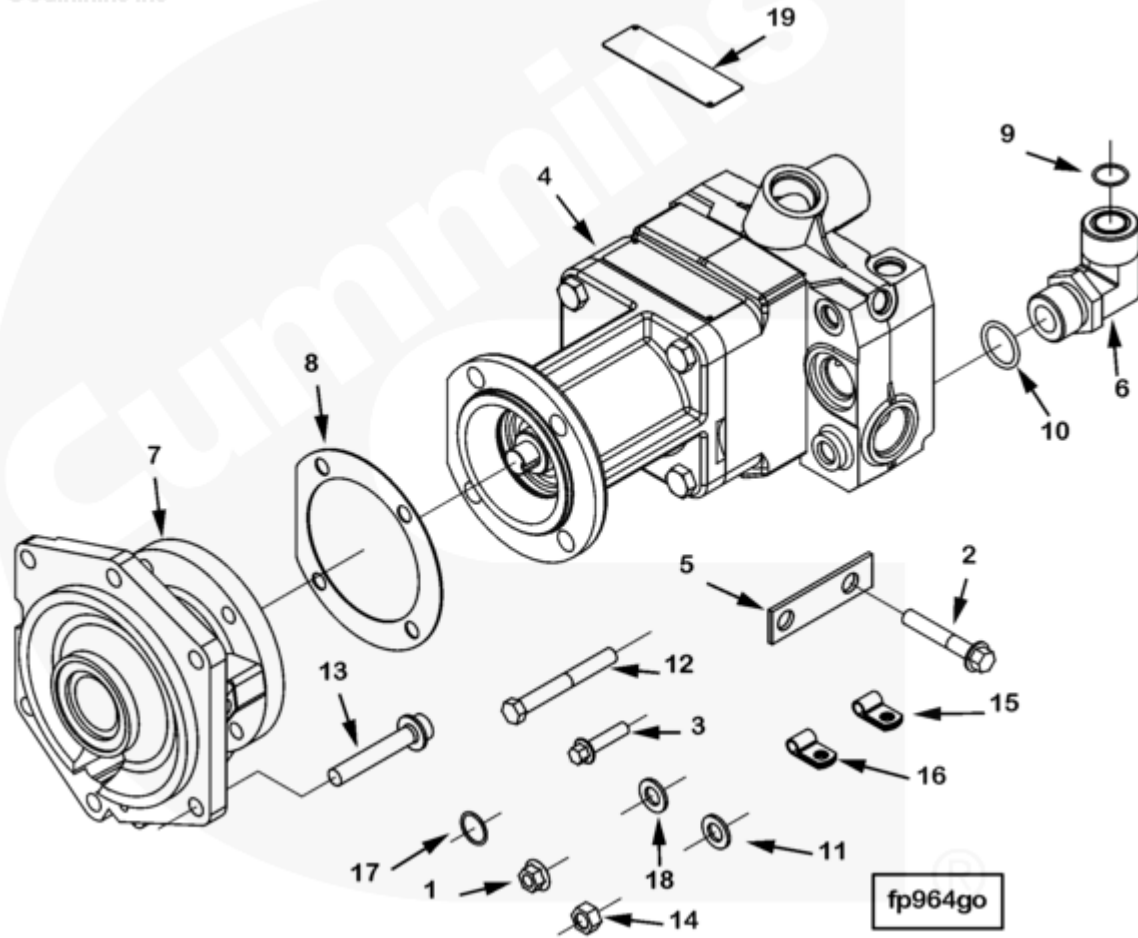




Parts Catalog - Option Detail

Electronic Parts Catalog - Option Detail				
Option	Group	Graphic	Film Card	Date
FP50044	05.21	fp964go	P23	01-JAN-06
Engines	QSK23 CM2250 K109, QSK23 CM500			

©Cummins Inc



[SMALL](#) | [MEDIUM](#) | [LARGE](#)

Cart	Ref No	Part Number	Part Description	Required	Remarks
View My Cart					
		FP50044	Fuel Injection Pump		
<input type="checkbox"/>	1	3093828	Hexagon Flange Nut	1	M10 X 1.50.
<input type="checkbox"/>	2	3094815	Hexagon Flange Head Cap Screw	1	
<input type="checkbox"/>	3	3864129	Hexagon Flange Head Cap Screw	5	

<input type="checkbox"/>	4	4087997	Fuel Pump	1	
<input type="checkbox"/>		3330600	Electronic Fuel Control Actuator	1	
<input type="checkbox"/>		3408577	Pressure Sensor	1	Fuel pump.
<input type="checkbox"/>		3042619	Coupling Nipple	1	
<input type="checkbox"/>	5	4095550	Clamping Plate	1	
<input type="checkbox"/>	6	4095605	Plain Union Elbow	1	
<input type="checkbox"/>	7	4095606	Fuel Pump Support	1	
<input type="checkbox"/>	8	4095607	Fuel Pump Gasket	1	
<input type="checkbox"/>	9	4095614	O-Ring Seal	1	
<input type="checkbox"/>	10	4095615	O-Ring Seal	1	
<input type="checkbox"/>	11	4095634	Plain Washer	2	
<input type="checkbox"/>	12	4095815	Hexagon Head Cap Screw	1	M12 x 1.75 x 115
<input type="checkbox"/>	13	4095844	Hexagon Flange Head Cap Screw	1	
<input type="checkbox"/>	14	4095871	Regular Hexagon Nut	2	
<input type="checkbox"/>	15	4095886	Clip	1	
<input type="checkbox"/>	16	4095888	Clip	1	
<input type="checkbox"/>	17	4095892	O-Ring Seal	1	
<input type="checkbox"/>	18	4095978	Plain Washer	1	
<input type="checkbox"/>	19	4095994	Dataplate	1	